

# novadrive®

## POWER SUPPLY



### Brief Informations

SLIM SERIES

## 100W

### Waterproof Power Supply (C.V.)

Model ND-12V-100W-WP / ND-24V-100W-WP

Input 170-250V AC

Output 12VDC 8.33A 100W / 24VDC 4.17A 100W

### Product Features

- Super slim design
- High transfer efficiency
- Stable constant voltage output
- IP67 - both indoor & outdoor use suitable
- 100% full loading - 100% burn-in tested
- Overload/short circuit protection



Size: 218\*40\*22mm

## MAIN ELECTRICAL DATA

### AC Input

Input Voltage	170-250V
Input Frequency	50/60Hz
Efficiency (Typ.)	90%
Input Current	230V: 0.9A max.
Inrush Current	40A
Leakage Current	5mA/230VAC

### DC Output

Output Voltage	12V	24V
Rated Current	8.33A	4.17A
Rated Power	100W	100W
Ripple & Noise (Max.)	<100mVp-p	<100mVp-p
Setup, Rise Time	1500ms/230VAC	1500ms/230VAC
Line Regulation	1%	1%
Load Regulation	1%	1%

## Service Environment

Working Temp.	-30°C~50°C
Working Humidity	20~95%RH
Storage Temp.	-40°C~80°C
Storage Humidity	10~95%RH

## Protection

Overload	Yes, cut-off mode, output shuts down if 10-20% over-loaded
Short Circuit	Yes, hiccup mode, recovers automatically after fault condition is removed

## Safety

Safety Standard	EN 61347-2-13
Withstand Voltage	I/P-O/P: 3000VAC/1min/<5mA
Isolation Resistance	I/P-O/P: >100M Ohms / 500VDC /25°C / 70%RH

## Packaging information

Product Dimension	218*40*22mm
Products Net Weight	390G
PCS/Carton(QTY)	40 PCS
Master Carton Size	37*26*26cm
G. Weight/ Carton	17KG

### Installation Tips:

- Please identify the power supply's input and output before installation.
- Ensure correct output + & - wire connection. Power on after wire connection is done.
- To avoid voltage drop and loading capacity wasting on the output extension wire, please install the power supply to the loading as near as possible, if must use long extension wires, thicker wires and less loading wattage is required.
- The power supply to be installed at good ventilation and cooling environment.

## 100W

### Waterproof Power Supply (C.V.)

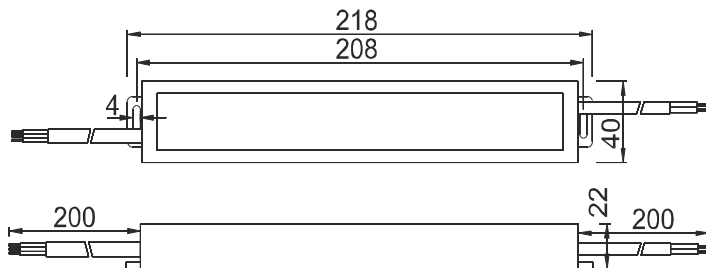
Model ND-12V-100W-WP / ND-24V-100W-WP

Input 170-250V AC

Output 12VDC 8.33A 100W / 24VDC 4.17A 100W

## Physical Drawing

Unit: mm

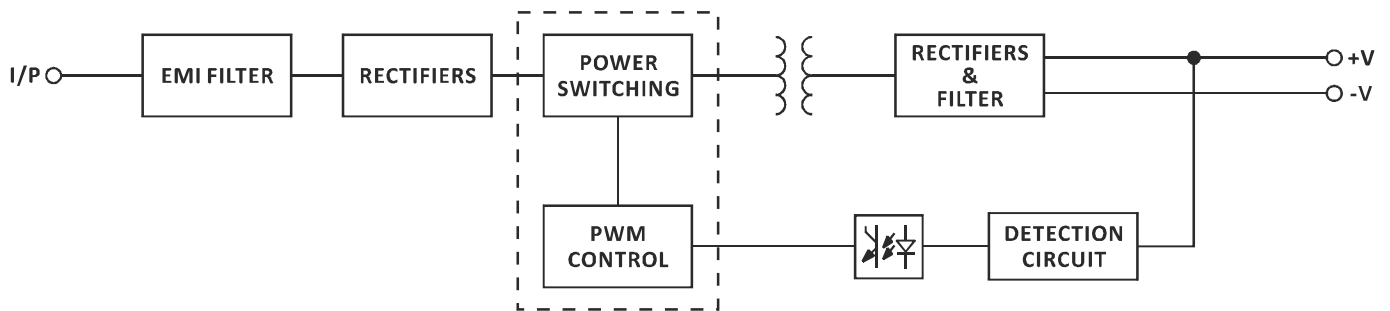


**Input:** 3 x 0.75 mm<sup>2</sup> wire, Brown L, Blue N  
200mm length

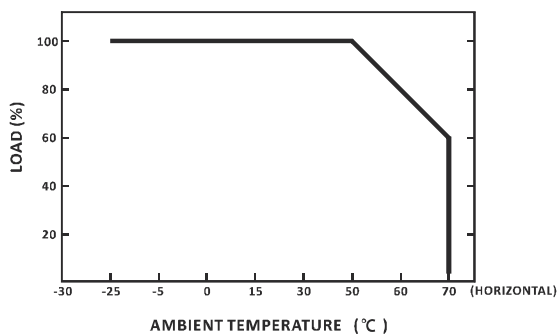
**Output:** 2 x 1 mm<sup>2</sup> wire, Red +, Black -  
200mm length

**Housing:** Alluminium

## Block Diagram



## Derating Curve



## Static Characteristics

