

novadrive®

POWER SUPPLY



Brief Informations

SLIM SERIES

150W

Waterproof Power Supply (C.V.)

Model ND-12V-150W-WP / ND-24V-150W-WP

Input 200~250V AC

Output 12VDC 12.5A 150W / 24V DC 6.25A 150W

Product Features

- Compact size - easy for installation
- High transfer efficiency
- Wide input range
- Stable constant voltage output
- IP67 - both indoor & outdoor use suitable
- 100% full loading - 100% burn-in tested
- Overload/short circuit protection



Size: 279*57*25mm

MAIN ELECTRICAL DATA

AC Input

Input Voltage	200~250V
Input Frequency	50/60Hz
Efficiency (Typ.)	87%
Input Current	230V: 1.45A max.
Inrush Current	40A
Leakage Current	3mA/230VAC

DC Output

Output Voltage	12V	24V
Rated Current	12.5A	6.25A
Rated Power	150W	150W
Ripple & Noise (Max.)	<100mVp-p	<100mVp-p
Setup, Rise Time	1500ms/230VAC	1500ms/230VAC
Line Regulation	1%	1%
Load Regulation	1%	1%

Service Environment

Working Temp.	-30°C~50°C
Working Humidity	20~95%RH
Storage Temp.	-40°C~80°C
Storage Humidity	10~95%RH

Protection

Overload	Yes, cut-off mode, output shuts down if over-loaded
Short Circuit	Yes, hiccup mode, recovers automatically after fault condition is removed

Safety

Safety Standard	EN 61347-2-13
Withstand Voltage	I/P-O/P: 3750VAC/1min/<5mA
Isolation Resistance	I/P-O/P: >100M Ohms / 500VDC /25°C / 70%RH

Packaging information

Product Dimension	279*57*25mm
Products Net Weight	680G
PCS/Carton(QTY)	25 PCS
Master Carton Size	41.5*33*18cm
G. Weight/ Carton	18KG

Installation Tips:

- Please identify the power supply's input and output before installation.
- Ensure correct output + & - wire connection. Power on after wire connection is done.
- To avoid voltage drop and loading capacity wasting on the output extension wire, please install the power supply to the loading as near as possible, if must use long extension wires, thicker wires and less loading wattage is required.
- The power supply to be installed at good ventilation and cooling environment.

150W

Waterproof Power Supply (C.V.)

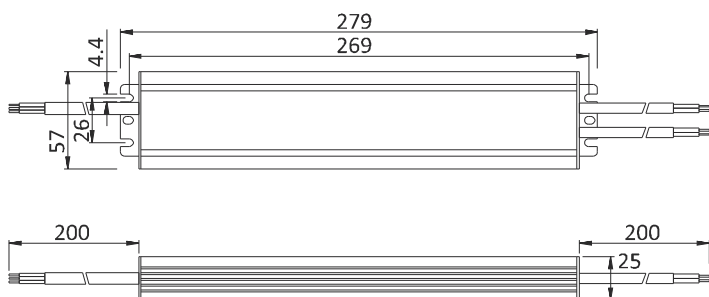
Model ND-12V-150W-WP / ND-24V-150W-WP

Input 200~250V AC

Output 12VDC 12.5A 150W / 24V DC 6.25A 150W

Physical Drawing

Unit: mm

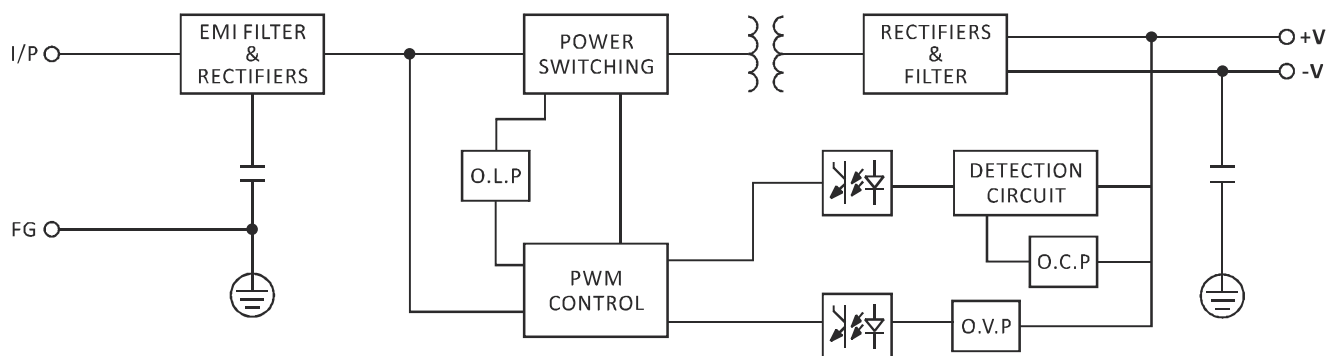


Input: 3 x 1 mm² wire, Brown L, Blue N
200mm length

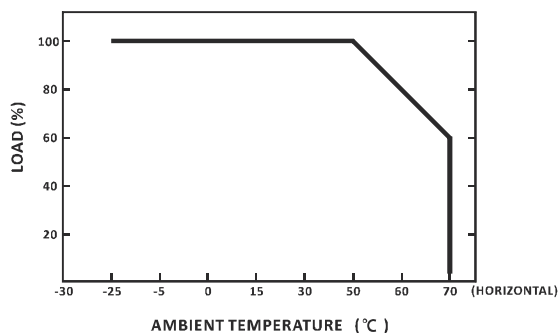
Output: 2 x 0.75 mm² wire, Red +, Black -
200mm length

Housing: Alluminium

Block Diagram



Derating Curve



Static Characteristics

