

# novadrive®

POWER SUPPLY



## Brief Informations

SLIM SERIES

# 36W

### Waterproof Power Supply (C.V.)

Model ND-12V-36W-WP

Input 185-250V AC

Output 12VDC 3A 36W

## Product Features

- Compact size - easy for installation
- High transfer efficiency
- Stable constant voltage output
- IP67 - both indoor & outdoor use suitable
- 100% full loading - 100% burn-in tested
- Overload/short circuit protection



Size: 162\*29\*21mm

## MAIN ELECTRICAL DATA

### AC Input

Input Voltage	185-250V AC
Input Frequency	50/60Hz
Efficiency (Typ.)	85%
Input Current	230V : 0.18A <sub>max</sub>
Inrush Current	40A
Leakage Current	5mA/230VAC

### DC Output

Output Voltage	12V	24V
Rated Current	3A	1.5A
Rated Power	36W	36W
Ripple & Noise (Max)	<200mVp-p	<200mVp-p
Setup, Rise Time	1500ms/230VAC	1500ms/230VAC
Line Regulation	1%	1%
Load Regulation	2%	2%

## Service Environment

Working Temp.	-30°C~50°C
Working Humidity	-20~99%RH
Storage Temp.	-40°C~80°C
Storage Humidity	10~99%RH

## Protection

Overload	Yes, O/P voltage drop mode active when overloaded 5-30%, recover after load reduced
Short Circuit	Yes, hiccup mode, recovers automatically after fault condition is removed

## Safety

Safety Standard	EN 61347-2-13
Withstand Voltage	I/P-O/P: 3000VAC/1min/<5mA
Isolation Resistance	I/P-O/P: >100M Ohms / 500VDC /25°C / 70%RH

## Packaging information

Product Dimension	162*29*21mm
Products Net Weight	170G
PCS/Carton(QTY)	100 PCS
Master Carton Size	39*39*21cm
G. Weight/ Carton	19KG

### Installation Tips:

- Please identify the power supply's input and output before installation.
- Ensure correct output + & - wire connection. Power on after wire connection is done.
- To avoid voltage drop and loading capacity wasting on the output extension wire, please install the power supply to the loading as near as possible, if must use long extension wires, thicker wires and less loading wattage is required.
- The power supply to be installed at good ventilation and cooling environment.

## 36W

### Waterproof Power Supply (C.V.)

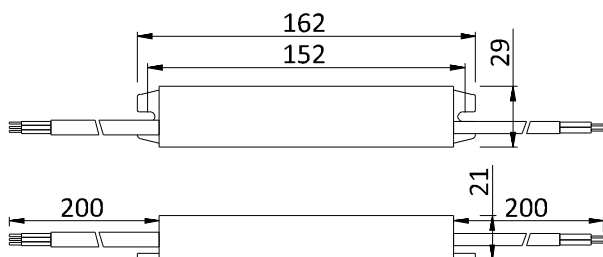
Model ND-12V-36W-WP

Input 185-250V AC

Output 12VDC 3A 36W

## Physical Drawing

Unit: mm

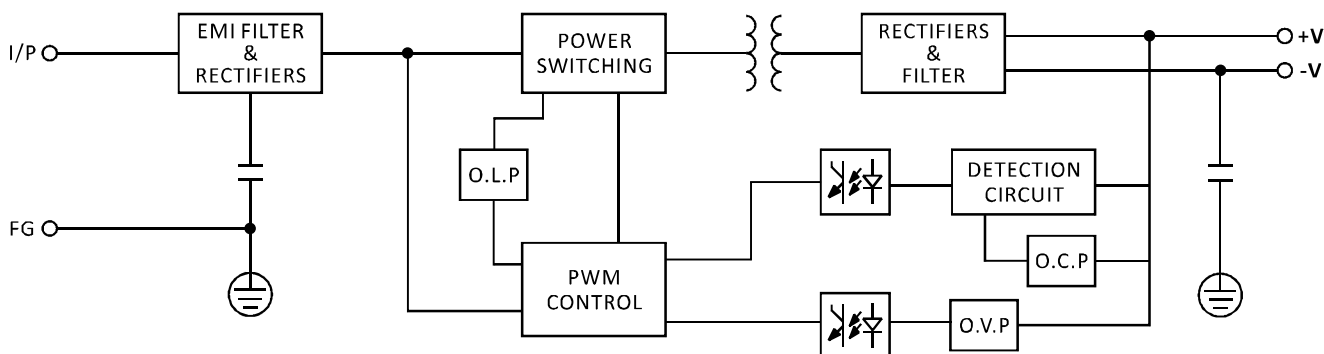


**Input:** 3 x 0.75 mm<sup>2</sup> wire, Brown L, Blue N  
200mm length

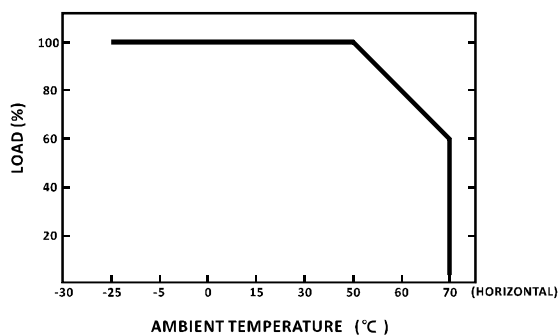
**Output:** 2 x 0.75mm<sup>2</sup> wire, Red + , Black -  
200mm length

**Housing:** Aluminium

## Block Diagram



## Derating Curve



## Static Characteristics

